

JET

JPF-3/34/48 Power feeder

JPF-3...230/50/1...10000258M

JPF-3...400/50/3...10000258T

JPF-34..400/50/3...10000259T

JPF-48..400/50/3...10000270T

PARTS LIST

Walter Meier (Tool) AG

Tämperlistrasse 5

CH-8117 Fällanden

Switzerland

Phone +41 44 806 47 48

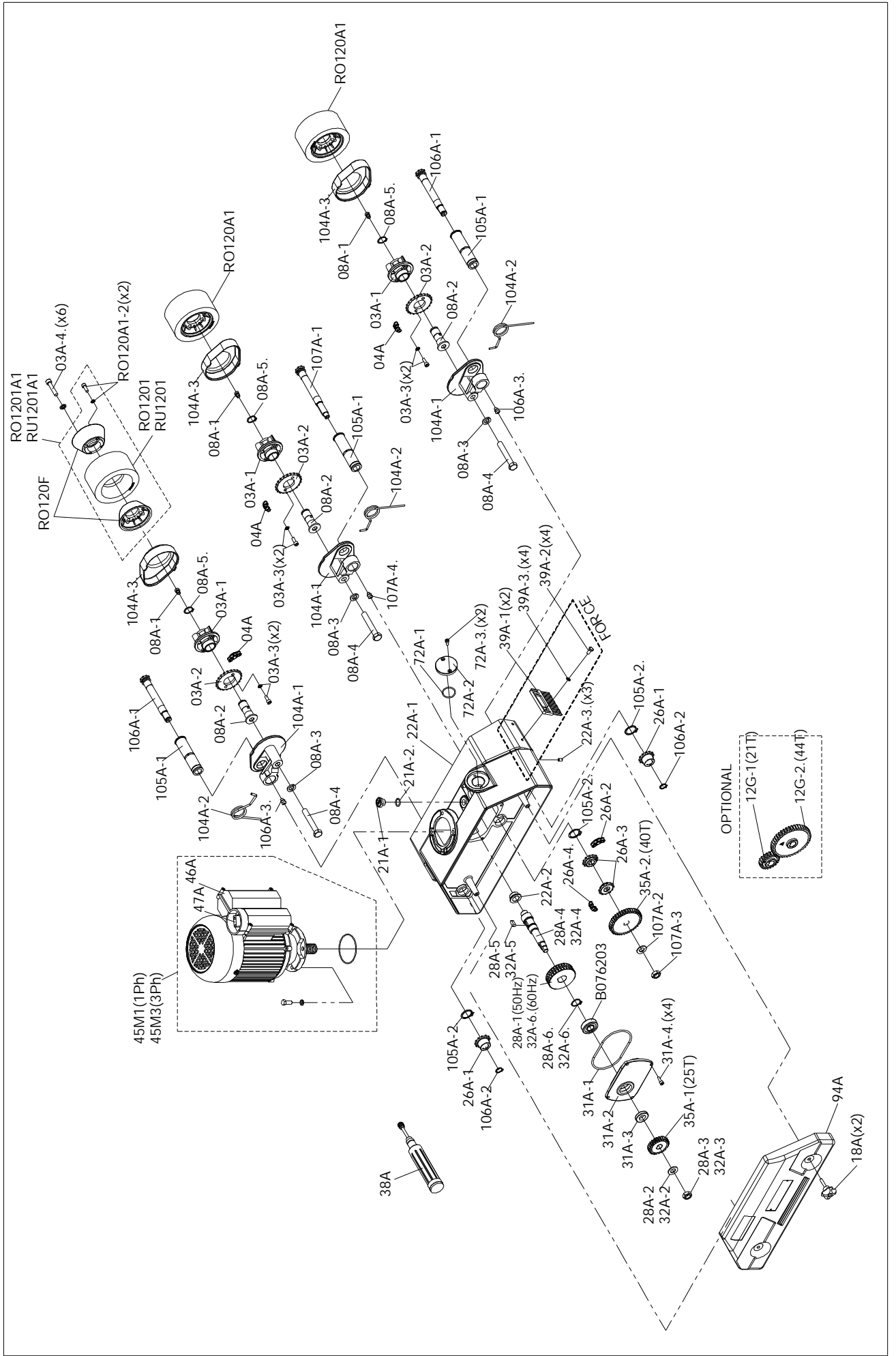
Fax +41 44 806 47 58

jetinfo.eu@waltermeier.com

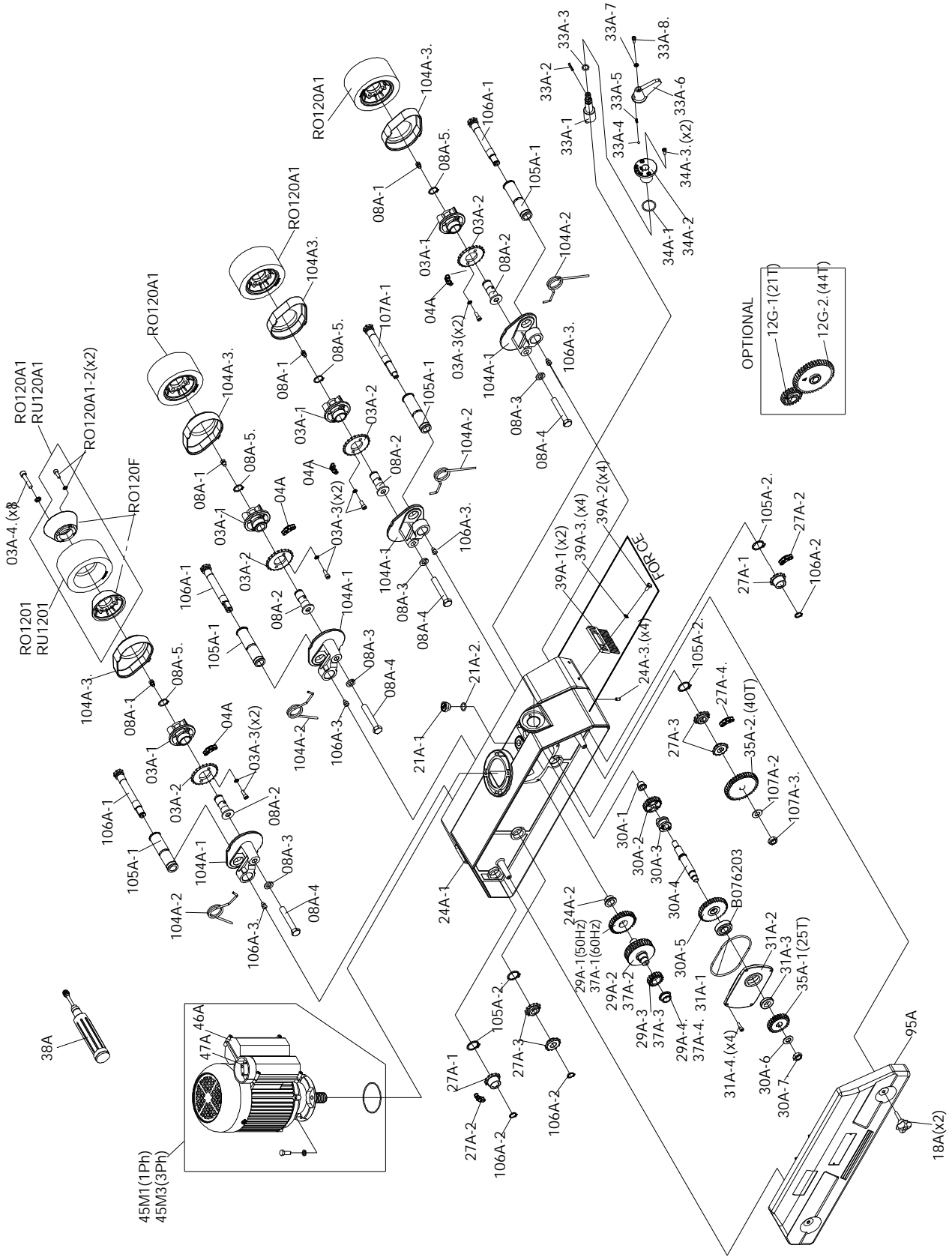
www.jettools.com



P-10000258M/T - 10000270T 2010/06/25

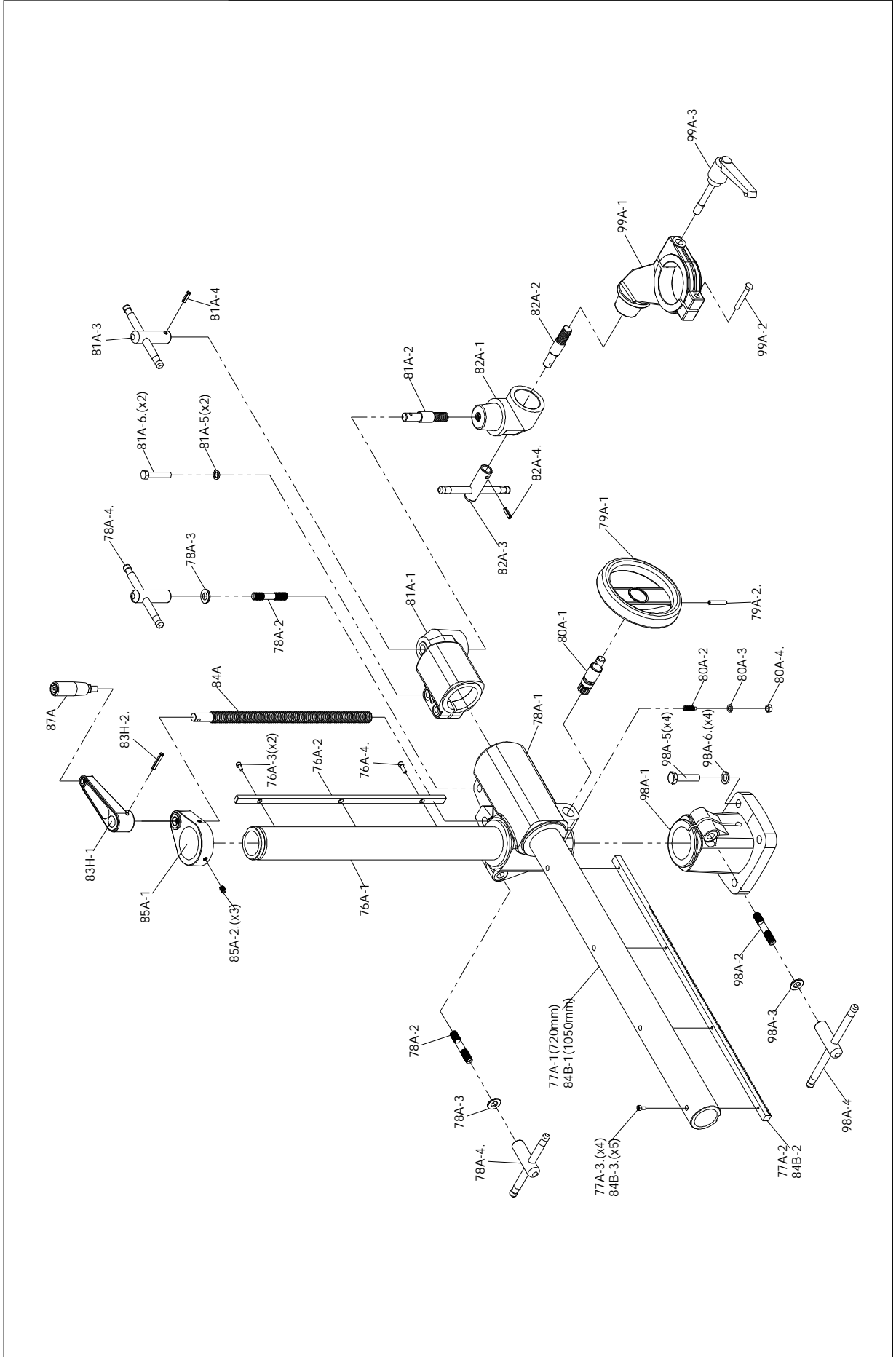


MODEL : JPF-34 HOUSING ASSEMBLY											
Part No.	Code No.	Description	Q'ty	Part No.	Code No.	Description	Q'ty	Part No.	Code No.	Description	Q'ty
B076203	B076203	Bearing 6203	1	08A-3	N030012	Spring Washer(M12)	1	31A-2	C020345	Worm Gear Box Cover	1
104A	104A	Sprocket Case Kit(L)	3	08A-4	S001275	Hex Screw (M12-1.75Px75L)	1	31A-3	Q021701	Oil Seal (17X32X7t)	1
104A-1	C020055	Sprocket Case	1	08A-5.	N510020	Snap Ring(20)	1	31A-4*	S900516	Cap Screw (M5-0.8Px16L)	4
104A-2	N950001	Spring (φ38x11.4)	1	18A	U010051	Knob (M6-1.0Px30L)	2	35A	35A	Gear Kit (25T,40T)	1
104A-3.	U010052	Case Cap (L)	1	21A	21A	Oil Cape Kit	1	35A-1	A500310	Gear 25T	1
03A	03A	Roller Supporter Kit	3	21A-1	U010008	Oil Cape(16mm)	1	35A-2*	A500311	Gear 40T	1
03A-1	C020333A	Roller Supporter	1	21A-2*	Q010012	"O" Ring(P12)	1	38A	T344001	Grease Gun	1
03A-2	A500309	Sprocket	1	22A	22A	Frame Kit (34/38)	1	45M11M	45M11M	Motor (1HP/ Single Phase)	1
03A-3	S060616	Cap Screw (M6-1.0Px16L)	2	22A-1	C020017	Frame	1	45M3M	45M3M	Motor (1HP/ 3 Phase)	1
03A-4.	S060840	Cap Screw (M8-1.25Px40L)	2	22A-2	A500301	Bushing (29DX23DX(9+3))	1	46A	46A	Switch Box Kit (L)	1
04A	K330026	Chain (26S)	3	22A-3*	S100610	Set Screw (M6-1.0Px10L)	1	47A	47A	Switch Kit	1
105A	05A	Tube Kit	3	23A	U010035	Back Cover (34/38)	1	72A	72A	Worm Cap Kit (34/44)	1
105A-1	E270006	Tube (φ27xp19x103L)	1	26A	26A	Transmission Kit (34/38)	1	72A-1	Q010028	O Ring (S28)	1
105A-2.	N510026	Snap Ring (26)	1	26A-1	A500303	Sprocket	2	72A-3*	S900512	Cap Screw (M5-0.8Px12L)	2
106A	106A	Sprocket Shaft Kit(L)	2	26A-2	K330062	Chain (62S)	1	94A	U010071-1	Back Cover (34/38)	1
106A-1	G320132	Sprocket Shaft	1	26A-3	A500307	Double Sprocket (12T)	2	RO120A1	RO120A1	Roller (120D x 60,)	3
106A-2	N510015	Snap Ring (15)	1	26A-4.	K330040	Chain (40S)	1	RO120F-1	C020354	Roller Wheel	1
106A-3.	T315106	Grease Nipple	1	28A	28A	Worm Gear Kit-50Hz (34/44)	1	RO1/20	U210096	Roller tire (120D x 60,)	1
107A	107A	Sprocket Shaft Kit(L)	1	28A-1	C120008	Worm Gear (30T, 50Hz)	1				
107A-1	G320133	Sprocket Shaft	1	28A-2	N011225	Flat Washer (M12x25D)	1				
107A-2	N011225	Flat Washer (M12x25D)	1	28A-3	N11012H	Nut (M12-1.75P)	1				
107A-3	N11012H	Nut (M12-1.75P)	1	28A-4	G320014	Worm Gear Shaft	1				
107A-4.	T315106	Grease Nipple	1	28A-5	K420618	Key (6x6x18L)	1				
08A	08A	Roller Spindle Kit(L)	3	28A-6*	N510022	Snap Ring (22)	1				
08A-1	T315106	Grease Nipple	1	31A	31A	Worm Gear Box Cover Kit	1				
08A-2	G320028	Roller Spindle	1	31A-1	Q010102	O Ring (G102)	1				



MODEL : JPF-48 HOUSING ASSEMBLY

Part No.	Code No.	Description	Q'ty	Part No.	Code No.	Description	Q'ty	Part No.	Code No.	Description	Q'ty
B076203	B076203	Bearing 6203	1	21A-2	Q010012	O Ring	1	33A-3	Q010012	"O" Ring	1
104A	01A	Sprocket Case Kit (L)	4	24A	24A	Housing Frame Kit (4R)	1	33A-4	R090005	Steel Ball	1
104A-1	C020055	Sprocket Case (L)	1	24A-1	C020018	Housing Frame, 4R	1	33A-5	N930004	Comp. Spring	1
104A-2	N950001	Spring	1	24A-2	A500301	Bushing	1	33A-6	U010040	Speed Lever	1
104A-3	U010052	Case Cap (L)	1	24A-3	S100610	Set Screw	4	33A-7	N050005	Lock Washer	1
03A	03A	Roller Supporter Kit	4	95A	U010072-1	Back Cover (44/48)	1	33A-8	S900512	Cap Screw	1
03A-1	C020333A	Roller Supporter	1	26A	26A	Transmission Kit	1	34A	34A	Speed Lever Sleeve Kit, 8S	1
03A-2	A500309	Sprocket	1	26A-1	A500303	Sprocket	2	34A-1	Q010028	"O" Ring	1
03A-3	S060616	Cap Screw	2	26A-2	K330062	Chain (62S)	1	34A-2	A500328	Speed Lever Sleeve	1
03A-4	S060840	Cap Screw	2	26A-3	A500307	Double Sprocket	2	34A-3	S900512	Cap Screw	2
04A	L20-0326	Chain (26S)	3	26A-4	K330040	Chain (40S)	1	35A	35A	Gear Kit (25T/40T)	1
105A	105A	Tube Kit	4	27A	27A	Transmission Kit (4R)	1	35A-1	A500310	Gear (25T)	1
105A-1	E270006	Tube	1	27A-1	A500303	Sprocket (12Tx3/8")	2	35A-2	A500311	Gear (40T)	1
105A-2	N510026	Snap Ring	1	27A-2	K330040	Chain (40S)	2	37A	37A	Worm Gear Kit 60Hz, 8S	1
106A	106A	Sprocket Shaft Kit(L)	2	27A-3	A500307	Double-Sprocket (12T)	4	37A-1	A500329	Gear (31T)	1
106A-1	G320132	Sprocket Shaft	1	27A-4	K330062	Chain (62S)	1	37A-2	A400001	Worm Gear (60Hz, 38T)	1
106A-2	N510015	Snap Ring	1	30A	30A	Transmission Shaft Kit, 8S	1	37A-3	A500330	Gear (17T)	1
106A-3	T315106	Grease Nipple	1	30A-1	A500305	Bushing	1	37A-4	A500301	Bushing	1
107A	107A	Main Sprocket Shaft Kit (L)	1	30A-2	A500320	Gear (20T)	1	38A	T344001	Grease Gun	1
107A-1	G320133	Main Sprocket Shaft (L)	1	30A-3	A500318	Clutch	1	45M1	45M1	Motor w/ Switch 1HP.1	1
107A-2	N011225	Flat Washer	1	30A-4	G320069	Transmission Shaft	1	45M3	45M3	Motor w/ Switch 1HP.1	1
107A-3	N11012H	Nut	1	30A-5	A500319	Gear (34T)	1	46A	46A	Switch Box Kit (L)	1
107A-4	T315106	Grease Nipple	1	30A-6	N011225	Flat Washer	1	47A	47A	Switch Kit	1
08A	08A	Roller Spindle Kit(L)	4	30A-7	N11012H	Nut	1	R0120A1	R0120A	Roller (120D x 60, PCs)	3
08A-1	T315106	Grease Nipple	1	31A	31A	Wormgear Box Cover Kit	1	R0120F	C02-0354-2	Roller Wheel	3
08A-2	G320028	Roller Spindle	1	31A-1	Q010102	"O" Ring (G102)	1	R0120	U01-0396	Roller tire (120D x 60, PCs)	3
08A-3	N030012	Spring Washer	1	31A-2	C020345	Wormgear Box Cover	1	R0120A1-2	S060820	Cap Screw	2
08A-4	S601275	Hex Screw	1	31A-3	Q021701	Oil Seal	1	12G	12G	GEAR SET (21T/44T, HD)	1
08A-5	N510020	Snap Ring	1	31A-4	S900516	Cap Screw	4	12G-1	A500344	Gear (21T)	1
18A	U010051	Knob	2	33A	33A	Speed Lever Kit (8S)	1	12G-2	A500345	Gear (44T)	1
21A	21A	Oil Cape Kit	1	33A-1	G320015	Gear Lever	1				
21A-1	U010008	Oil Cape	1	33A-2	N810420	Lock Pin	1				



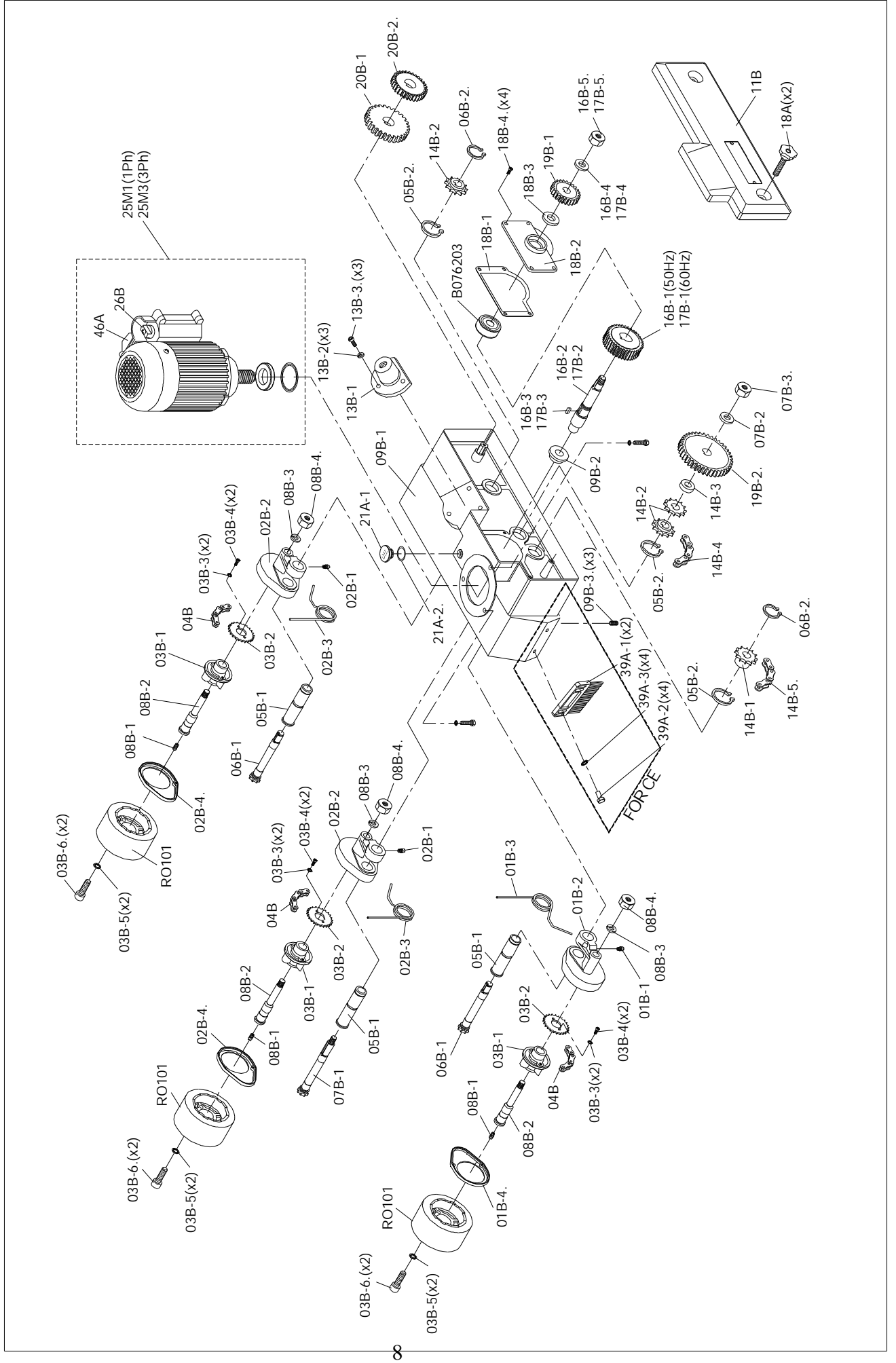
MODEL • JPF-34/ 48

STAND ASSEMBLY

Part No.	Code No.	Description	Q'ty	Part No.	Code No.	Description	Q'ty	Part No.	Code No.	Description	Q'ty
76A	76A	Vertical Column Kit	1	80A-3	N030008	Spring Washer	1	85A	85A	Column Cape Kit	1
76A-1	E580001	Vertical Column(560mm)	1	80A-4	N11008R	Nut	1	85A-1	C020314A	Column Cape	1
76A-2	G340001	Key	1	81A	81A	Over Arm Cone Kit	1	85A-2	G000005	Screw	3
76A-3	S900510	Screw	2	81A-1	A250403	Over Arm Cone	1	83H	86A	Handle Kit	1
76A-4	S900516	Screw	1	81A-2	G020005	Stud	1	83H-1	U010098A	Handle w/ Bushing	1
77A	77A	Over Arm Kit (720mm)	1	81A-3	G020007A	Handle	1	83H-2	N810636	Lock Pin	1
77A-1	E580002	Over Arm (720mm)	1	81A-4	N810622	Lock Pin	1	87A	U010011	Wheel Handle	1
77A-2	G340004	Rack (650mm)	1	81A-5	N030010	Washer	2	98A	98A	Base Kit	1
77A-3	S900510	Screw	4	81A-6	S601050	Screw	2	98A-1	A250401	Column Base	1
78A	78A	Elevating Bracket Kit	1	81A-7	U010119	Cord Sheath	1	98A-2	G320102	Stud	1
78A-1	A250402	Elevating Bracket	1	82A	82A	Swivel Cone Kit	1	98A-3	N011225	Washer	1
78A-2	G320102	Stud	2	82A-1	A200304	Swivel Cone	1	98A-4	G020010A	Handle(200mmL)	1
78A-3	N011225	Washer	2	82A-2	G020005	Stud	1	98A-5	S601250	Hex Screw	4
78A-4	G020006A	Handle	2	82A-3	G020007A	Handle	1	98A-6	N030012	Spring Washer	4
79A	79A	Handwheel Kit	1	82A-4	N810622	Lock Pin	1	99A	99A	Motor Clamp kit	1
79A-1	U010082	Handwheel	1	84A	G320090	Elevating Screw	1	99A-1	A200305	Motor Clamp	1
79A-2	N810636	Lock Pin	1	84B	84B	Over Arm Kit (1050mm)	1	99A-2	S600850	Screw	1
80A	80A	Pinion Kit	1	84B-1	E580003	Over Arm (1050mm)	1	99A-4	T060003	Pull Handle	1
80A-1	G020001	Pinion	1	84B-2	G340005	Rack (980mm)	1				
80A-2	G000007	Screw	1	84B-3	S900510	Screw	5				

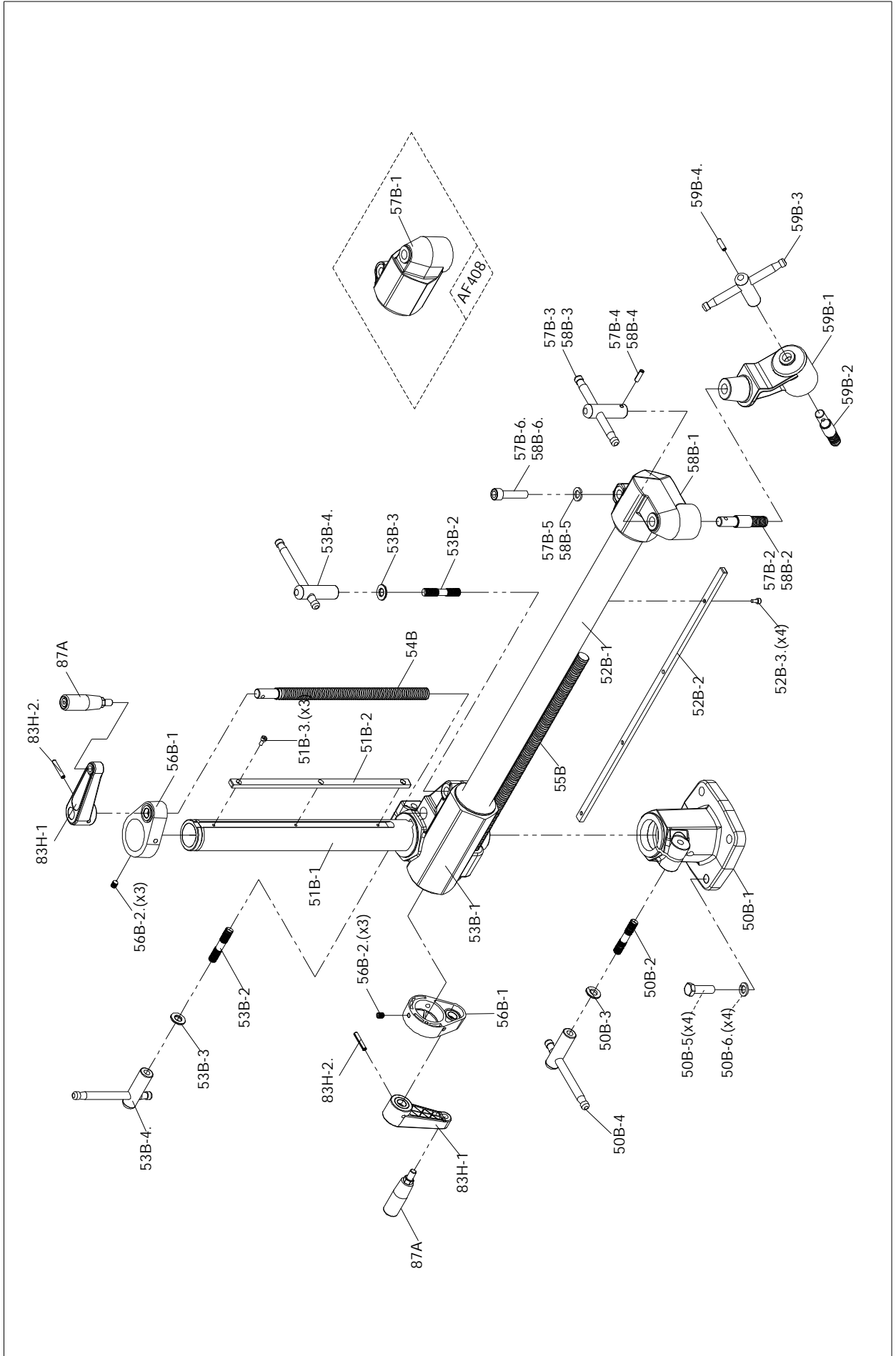
MODEL • JPF-3M • T,

HOUSING ASSEMBLY



Code No.	Description	Q'ty	Part No.	Code No.	Description	Q'ty	Part No.	Code No.	Description	Q'ty
B00-6003	Bearing (#6003)	1	09B	09B	Frame Kit (308)		17B-4	R11-0400	Washer	1
B0Z-6203	Bearing (#6203)	1	09B-1	C020311	Frame	1	17B-5*	N13-012R	Nut	1
01B	Sprocket Case Kit - Right		09B-2	A500301	Bushing	1	18A	U01-0351	Knob	2
T315106	Grease Nipple	1	09B-3*	S100610	Set Screw	3	18B	18B	Worm Gear Box Cover (308)	1
C020009	Case Sprocket	1	10B	10B	Frame Kit (408)		18B-1	U210005	Oil Seal	1
N950002	Spring	1	10B-1	C01-0356-4	Frame	1	18B-2	C020308	Worm Cape	1
U010065	Case Cover	1	10B-2	A50-0301	Bushing	1	18B-3	Q021701	Oil Seal	1
02B	Sprocket Case Kit - Left		10B-3*	S33-0610	Set Screw	4	18B-4*	S900616	Screw	4
T315106	Grease Nipple	1	12B	C01-0357-3	Front Cover Kit (408)	1	19B	19B	Gear kit -20T, 40T	
C020009	Case Sprocket	1	13B	13B	Swivel Cone Kit (308)		19B-1	A500316	Gear (20T)	1
N950002	Spring	1	13B-1	A200319	Cone	1	19B-2*	A500313	Gear (40T)	1
U010065	Case Cover	1	13B-2	N030008	Spring Washer	3	20B	20B	Gear kit -26T, 34T	
03B	Roller Supporter Kit		13B-3*	S900825	Screw	3	20B-1	A500314	Gear (34T)	1
A200320	Roller Base	1	14B	14B	Transmission Kit (308)		20B-2*	A500315	Gear (26T)	1
A500312	Sprocket	1	14B-1	A500303	Sprocket	1	21A	21A	Oil Cape Kit	
N030005	Spring Washer	2	14B-2	A500307	sprocket	3	21A-1	U010008	Oil Cape	1
S900516	Screw	2	14B-3	A500308	Sprocket Collar	1	21A-2*	Q010014	"O" Ring	1
N050058	Spring Washer	2	14B-4	K330036	Chain (36S)	1	25M1M	M122314AB	Motor 230V/1 Ph without Switch	
S900825	Screw	2	14B-5*	K330022	Chain (22S)	1	25M3M	M120001	Motor 400V/3 Ph without Switch	
K330022	Chain (22S, 4PCs/Set)	4	15B	15B	Transmission Kit (408)		26B-1	J120005	Switch Kit	1
05B	Tube Kit		15B-1	A50-0303	Sprocket	2	36A	Q02-0070	"O" Ring	1
E270002	Tube	1	15B-2	A50-0307	sprocket	4	46A-1	U010001	Switch Box	1
N510026	Snap Ring	1	15B-3	A50-0308	Sprocket Collar	1	59A	59A	Worm Gear Box Kit (408)	
06B	Transmission kit		15B-4	L20-0352	Chain (52S)	2	59A-1	Q02-0065	"O" Ring	1
G320006	Sprocket Shaft	1	15B-5*	L20-0326	Chain (26S)	1	59A-2	C02-0310-2	Worm Cape	1
N510015	Snap Ring	1	16B	16B	Worm Gear Shaft Kit - 50Hz		59A-3	Q03-0302	Oil Seal	1
07B	Sprocket Shaft Kit		16B-1	C120010	Worm Gear	1	59A-4*	S23-0516	Screw	3
G320007	Sprocket Shaft	1	16B-2	G320009	Worm gear Spindle	1	62B	62B	Frame Cover Kit, Metal (308)	
N011225	Washer	1	16B-3	K420612	Key	1	62B-1	E01-0340-2	Frame Cover, Metal (308)	1
N11012H	Nut	1	16B-4	N011225	Washer	1	62B-2	R11-0200	Washer (1/4"x19Dx1.5t)	2
08B	Spindle Kit		16B-5*	N11012H	Nut	1	62B-3*	S13-0640	Screw (M6-1.0Px40L)	2
T315106	Grease Nipple	1	17B	17B	Worm Gear Shaft Kit - 60Hz		RO-10-1	C02-0304-3	Rollers (100Dia x 50, Pcs)	3/4
G320008	Spindle	1	17B-1	D01-0305-2	Worm Gear	1				
N030012	Spring Washer	1	17B-2	H45-0335	Worm gear Spindle	1				
N11012H	Nut	1	17B-3	P12-6612	Key	1				

MODEL • JPF-3M (T) STAND ASSEMBLY



Part No.	Code No.	Description	Q'ty	Part No.	Code No.	Description	Q'ty
50B	50B	Base Kit (308/408)		57B	57B	Over Arm Cone Kit (408)	
50B-1	A200315	Column Base	1	57B-1	A20-0322-4	Over Arm Cone (408)	1
50B-2	G320102	Stud	1	57B-2	G41-1350	Lock Stud	1
50B-3	N011225	Washer	1	57B-3	HA-0307	Lever	1
50B-4	G020006A	Lever	1	57B-4	P21-0622	Lock Pin	1
50B-5	S601250	Hex Screw (M12)	1	57B-5	R12-0012	Washer	1
50B-6	N030012	Spring Washer (M12)	1	57B-6*	S23-1250	Screw	1
51B	E500001A	Vertical Column Kit		58B	58B	Over Arm Cone Kit	
51B-1	G42-0305-2	Column, Vertical	1	58B-1	A200317	Over Arm Cone	1
51B-2	G41-0318-2	Key	1	58B-2	G020005	Lock Pin	1
51B-3*	S23-0510	Screw	3	58B-3	G020007A	Lever	1
52B	E500002A	Over Arm Kit (308/408)		58B-4	N810622	Lock Pin	1
52B-1	G42-0306-2	Over Arm	1	58B-5	N030012	Washer	1
52B-2	G41-0321-2	Key	1	58B-6*	S901250	Screw	1
52B-3*	S23-0508	Screw	4	59B	59B	Swivel Cone Kit (308)	
53B	53B	Elevating Bracket Kit		59B-1	A200318	Swivel Cone (308)	1
53B-1	A200316	Elevating Bracket	1	59B-2	G020005	Lock Stud	1
53B-2	G320102	Stud	2	59B-3	G020007A	Lever	1
53B-3	N011225	Washer	2	59B-4*	N810622	Lock Pin	1
53B-4*	G020006A	Handle	2	83H	83H	Handle Kit	
54B	G320093	Elevating Screw Kit	1	83H-1	U010098A	Handle	1
55B	G320094	Pinion Kit	1	83H-2*	N810636	Lock Pin	1
56B	56B	Column Cape kit		87A	U01-1305	Wheel Handle	1
56B-1	C020305A	Column Cap	1				
56B-2*	G000005	Set Screw	3				